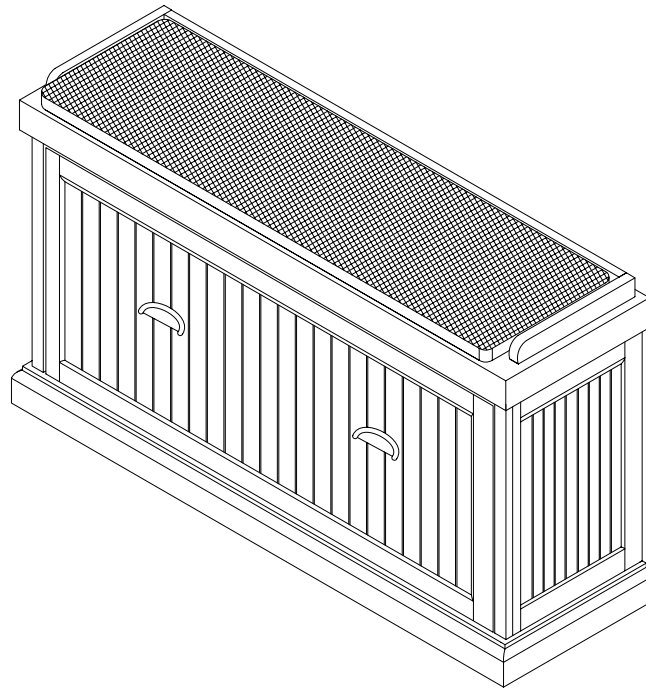
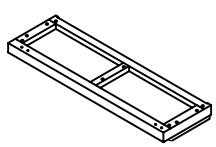
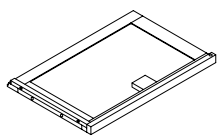
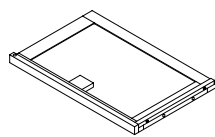
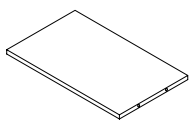
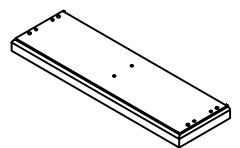
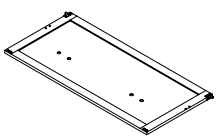
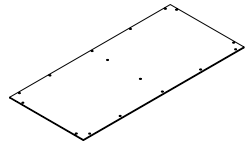
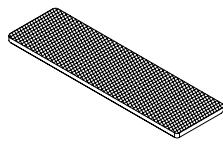





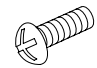
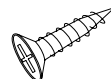



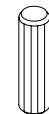
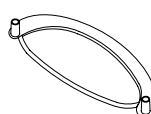
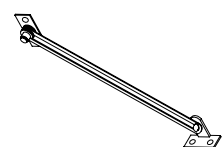
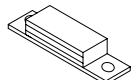
Entryway Bench
CF6011

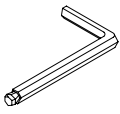


PART LIST

				
<p>Top Panel 1 PC</p>	<p>Left Side Panel 1 PC</p>	<p>Right Side Panel 1 PC</p>	<p>Middle Vertical Panel 1PC</p>	<p>Bottom Panel 1 PC</p>
				
<p>Door 1 PC</p>	<p>Back Panel 1 PC</p>	<p>Cushion 1 PC</p>		

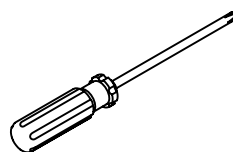
HARDWARE LIST

 $\text{Ø}1/4'' \times 1-3/4''$	 $\text{Ø}4.5\text{mm} \times 1/2''$	 $\text{Ø}3\text{mm} \times 5/8''$	 $\text{Ø}3\text{mm} \times 1/2''$	 $\text{Ø}1/4'' \times 11\text{mm}$
<p>Hex Socket Head Bolt 9 PCS(Extra 1)</p>	<p>Handle Bolt 5 PCS(Extra 1)</p>	<p>Flat Head Screw 9 PCS(Extra 1)</p>	<p>Screw 21 PCS(Extra 1)</p>	<p>Spring Washer 9 PCS(Extra 1)</p>
 $\text{Ø}1/4'' \times 13\text{mm}$	 $\text{Ø}8\text{mm} \times 1-1/8''$			
<p>Flat Washer 9 PCS(Extra 1)</p>	<p>Wood Dowel 13 PCS(Extra 1)</p>	<p>Handle 2 PCS</p>	<p>Hinge 2 PCS</p>	<p>Magnet 2 PCS</p>

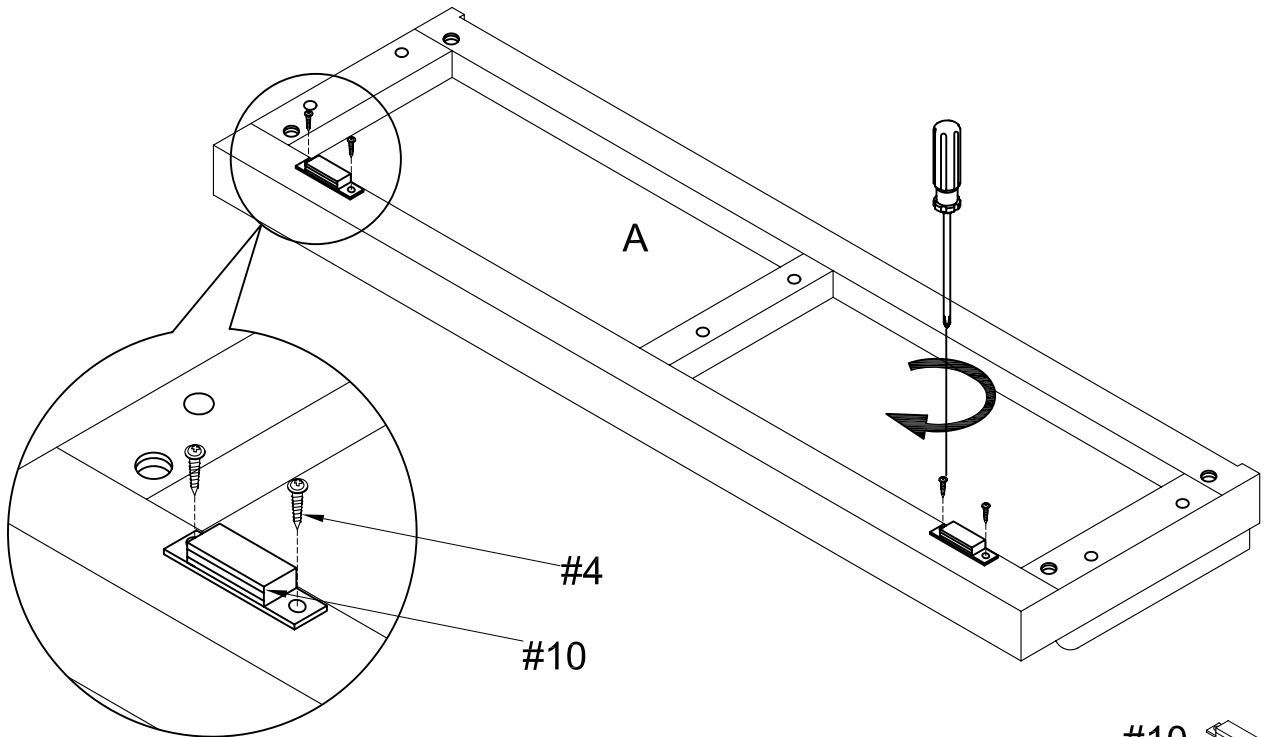
 4mm
<p>Allen Wrench 1 PC</p>

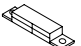
ADDITIONAL TOOLS(Not Provided)

Note:It is not recommended to use power tools during assembly



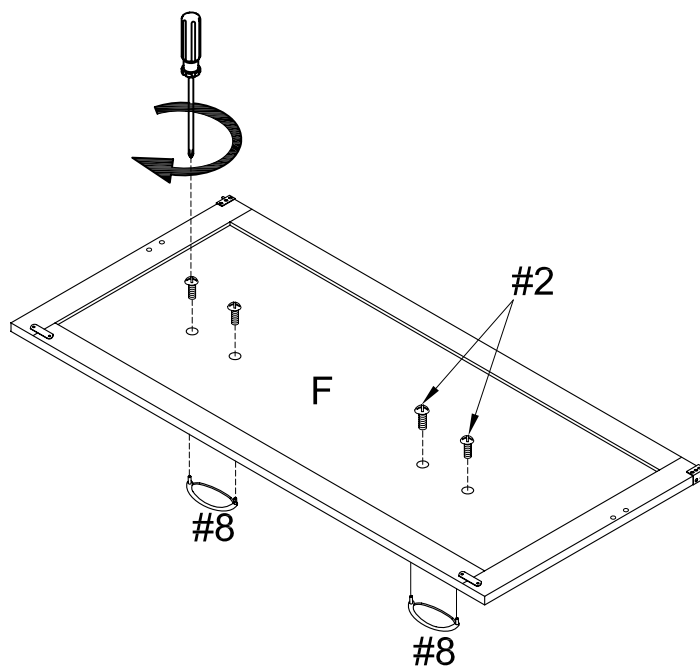
Step 1. Attach magnets (part #10) to top panel (part A) using screws (part #4) and Phillips head screwdriver.



#10  x 2

#4  x 4

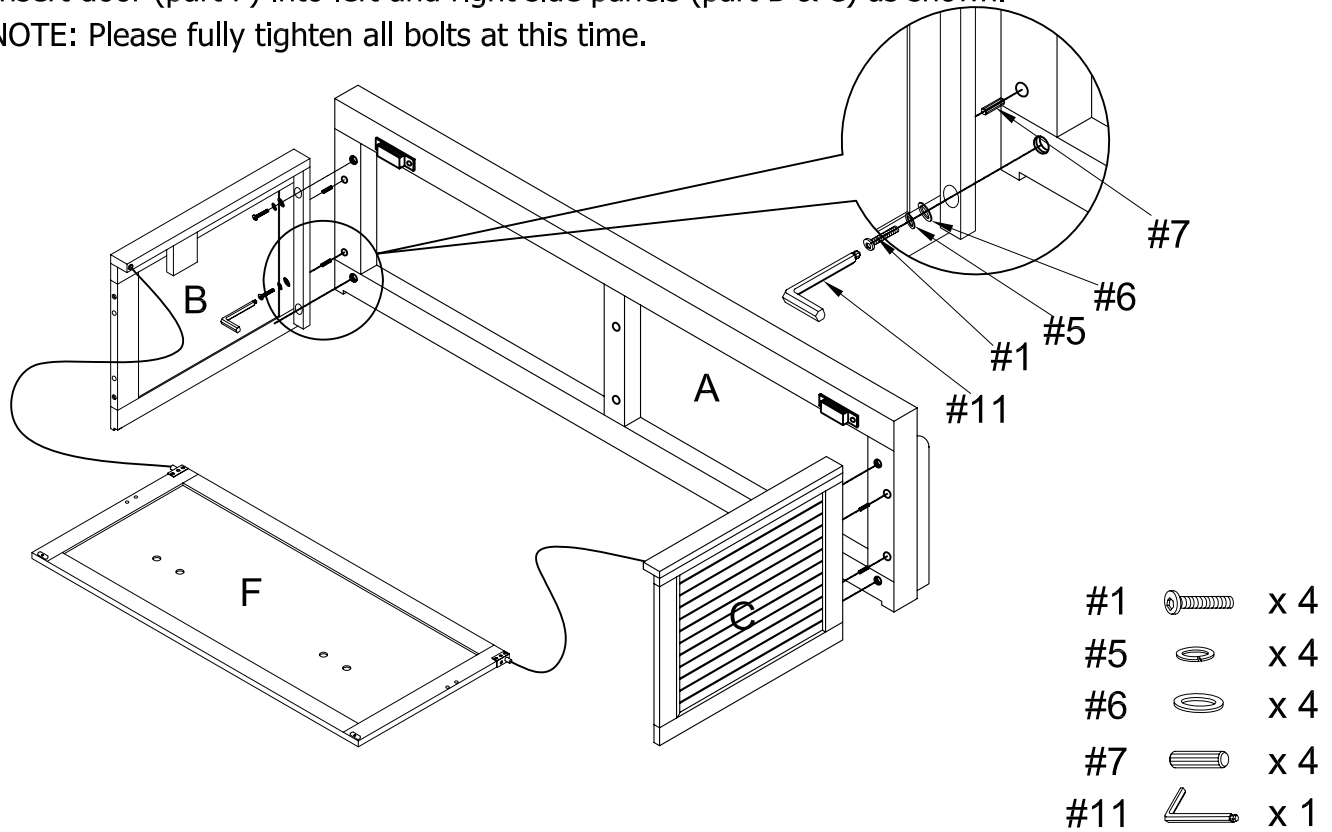
Step 2. Attach handles (part #8) to door (part F) using handle bolts (part #2) and Phillips head screwdriver.



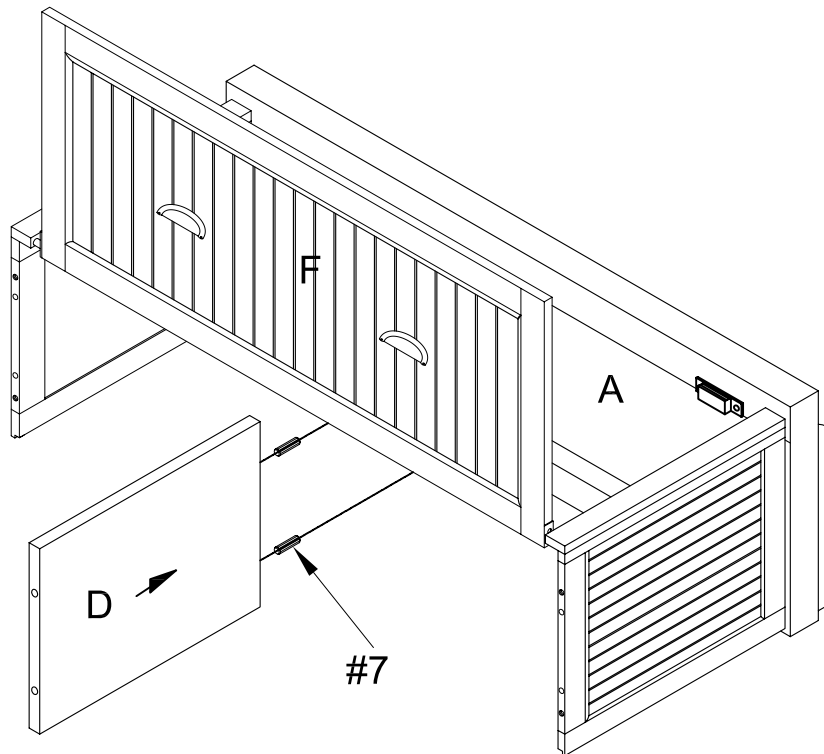
#8  x 2


#2  x 4

Step 3. Attach left and right side panels (part B & C) to top panel (part A) using wood dowels (part #7), hex socket head bolts (part #1), spring washers (part #5), flat washers (part #6) and allen wrench (part #11). **NOTE: DO NOT FULLY TIGHTEN BOLTS!** Insert door (part F) into left and right side panels (part B & C) as shown. **NOTE:** Please fully tighten all bolts at this time.

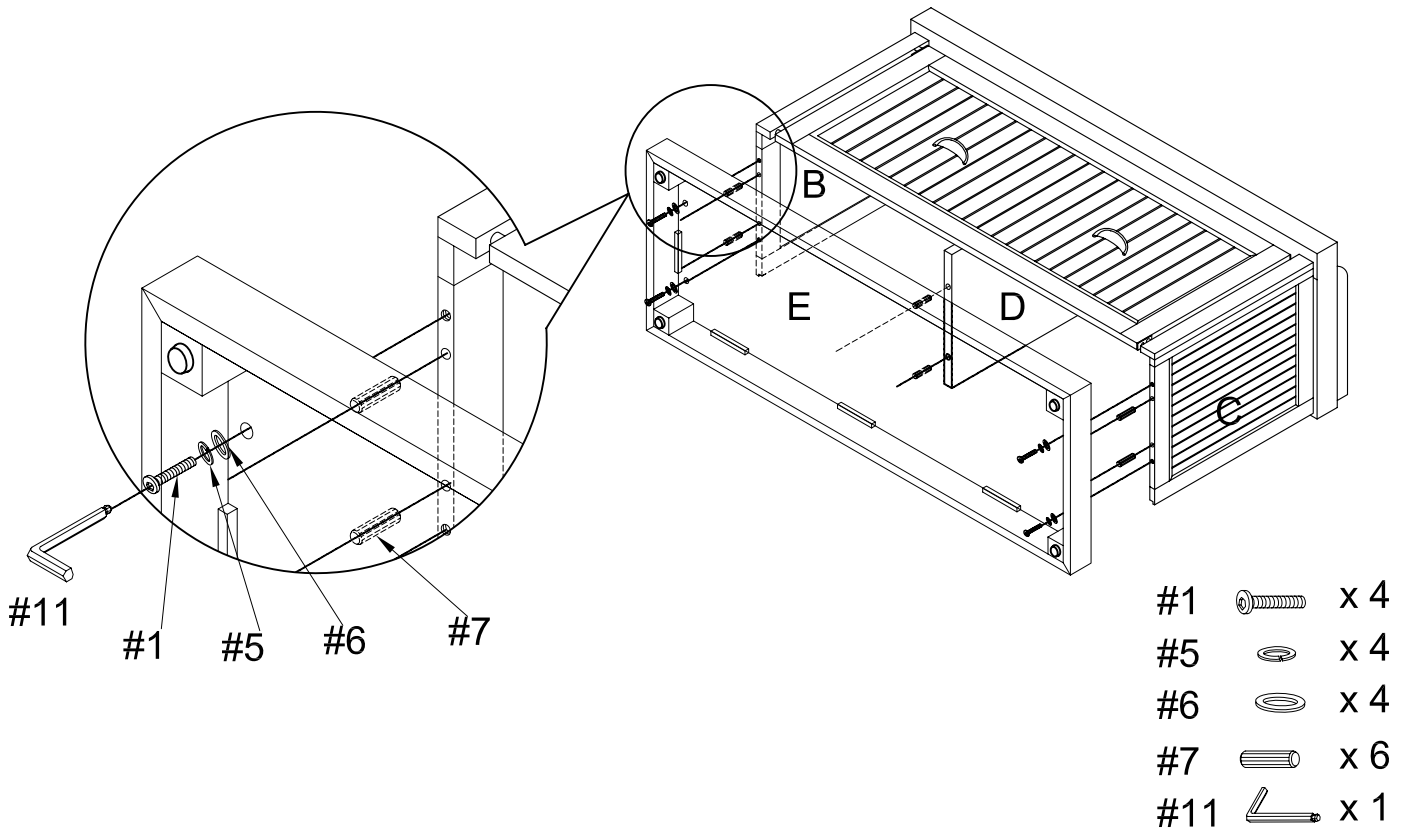


Step 4. Hold the door up as shown, and insert the middle vertical panel (part D) with wood dowels (part #7) to top panel (part A). Once the middle vertical panel (part D) is in place, gently lay door (part F) down as shown in Step 5.

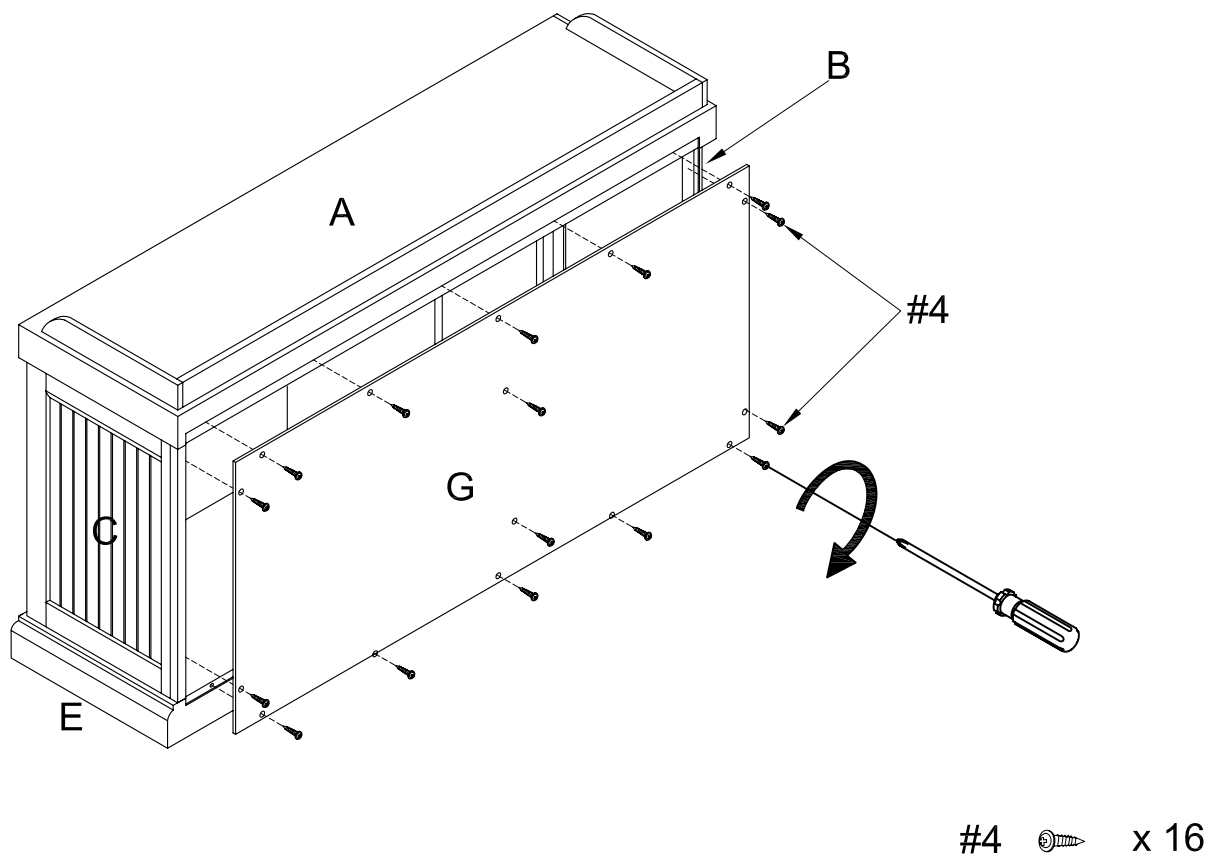


#7  x 2

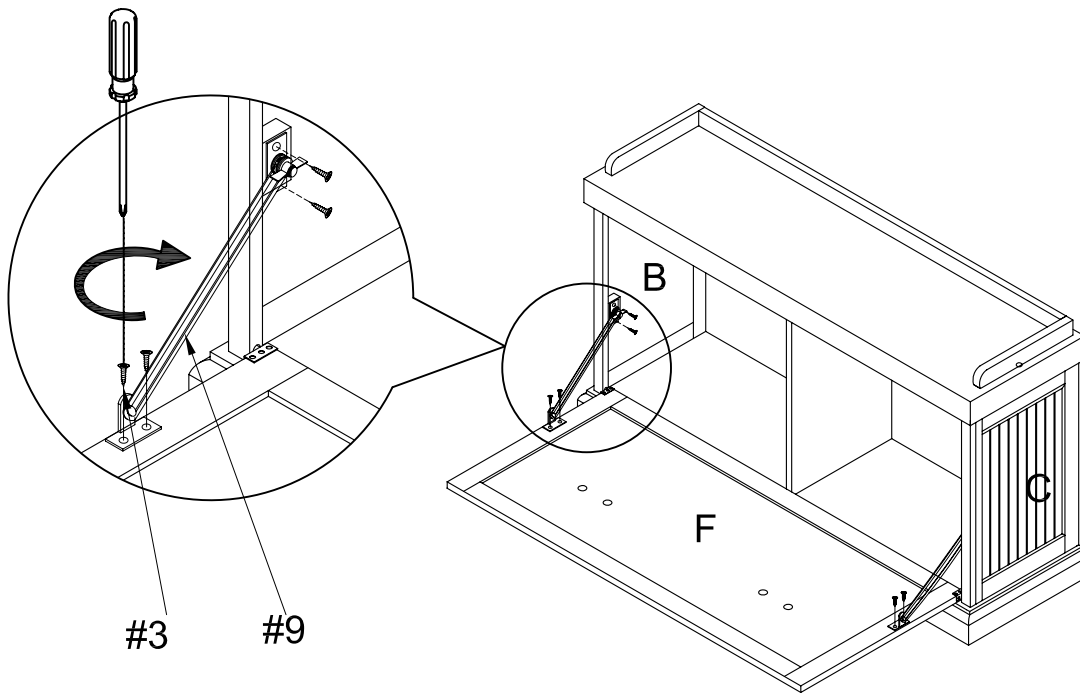
Step 5. Attach bottom panel (part E) to assembled unit (part B, D & C) using wood dowels (part #7), hex sockets head bolts (part #1), spring washers (part #5), flat washers (part #6) and allen wrench (part #11).





Step 6. Carefully turn the bench upright. Attach back panel (part G) to assembled unit using screws (part #4) and Phillips head screwdriver.



Step 7. Attach hinges (part #9) to pre-drilled holes of door (part F) and left side panel (part B) and right side panel (part C) using flat head screws (part #3) and Phillips head screwdriver.



- #3  x 8
- #9  x 2

Step 8. Put the cushion (part H) into place.

